



*Assembly Instructions*

## **Crossleg Table Set**



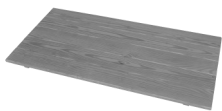
*Thank you for choosing **A&L Furniture Co.***

*We hope that this piece brings you many years of enjoyment!*

For help with assembling your furniture,  
or if you have missing hardware, please email us at  
[help@aandlfurniture.com](mailto:help@aandlfurniture.com) or call us at 866-896-5747

## PARTS

Ⓐ Table Top (1)



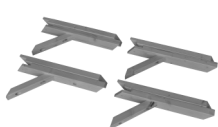
Ⓑ Benches (2)



Ⓒ Table Legs (2)



Ⓓ Bench legs (4)



## HARDWARE (included)

2" Bolts (12)

Ⓐ



2" Lag Screws (6)

Ⓑ



Allen Wrench (1)

Ⓒ

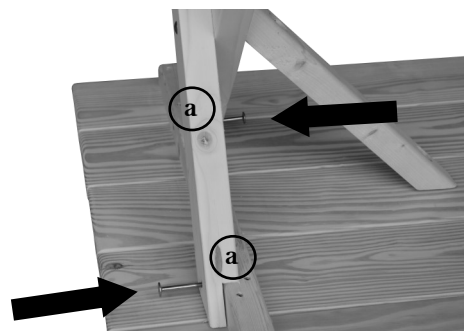
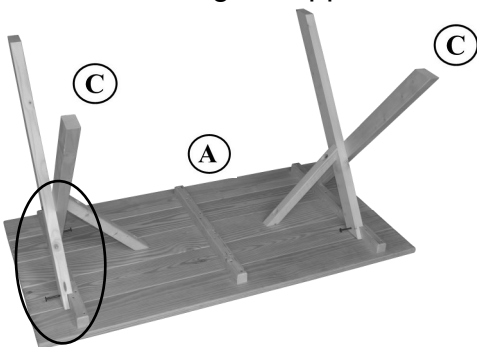


## TOOLS NEEDED

$\frac{7}{16}$ " Wrench or Socket

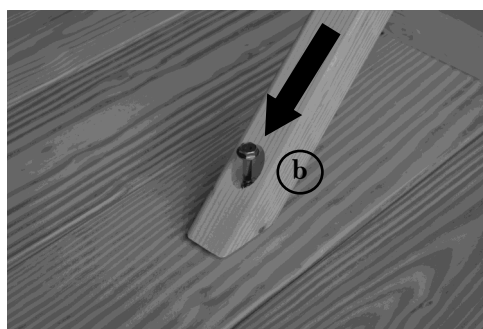
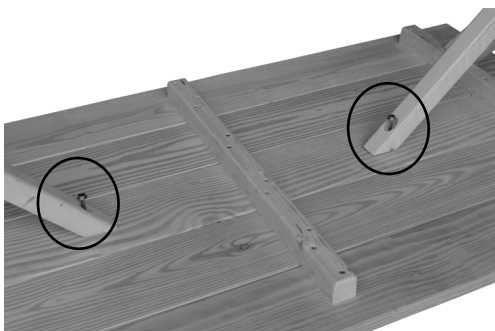
## STEP 1

Lay table top upside down on a clean surface. Unfold table legs creating an X. Place legs on table top with one side outside 2x2 on table top & other side inside 2x2. Angle brace belongs toward center of top. Put a 2" bolt through the predrilled hole in each leg & turn into the threaded inserts in the 2x2 strip. Tighten with the Allen wrench. The bolts go in opposite sides, always put through the leg first.



## STEP 2

Attach the leg braces to the table top. Place the braces in the center of the board & attach with 2" lag screws using a  $\frac{7}{16}$ " wrench or socket. Holes are not predrilled as lags are self drilling.



## STEP 3

Follow the same steps as above for assembling the benches. When attaching the braces place braces on opposite boards & not the crack between the boards.

