



Assembly Instructions

Crossleg Bench



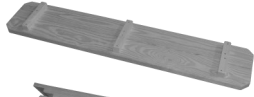
*Thank you for choosing **A&L Furniture Co.***

We hope that this piece brings you many years of enjoyment!

For help with assembling your furniture,
or if you have missing hardware, please email us at
help@aandlfurniture.com or call us at 866-896-5747

PARTS (included)

(A) Bench Top (1)



(B) Bench Legs (2)



HARDWARE (included)

2" Bolts (4)

(a)



2" Lag Screws (4)

(b)



Allen Wrench (1)

(c)



TOOLS NEEDED

Hammer

$\frac{7}{16}$ " Wrench or Socket

STEP 1

Lay the bench top upside down on a flat clean surface. Unfold each bench leg so that it forms an X and place them on the bench with the notches in the legs on each side of the 2x2. (See photo 1.) Now insert a 2" bolt through the holes in the legs and turn them into the metal inserts in the 2x2. (See photo 2.) Tighten with the Allen wrench.

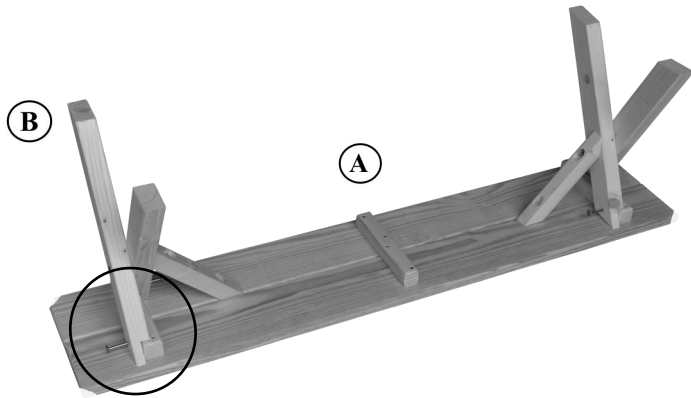


Photo 1

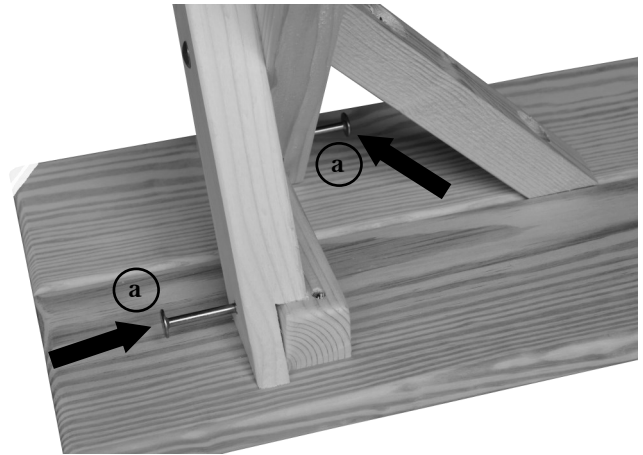


Photo 2

STEP 2

Position 2x2 braces (attached to the center of the legs). Keep one to each side of the crack between the bench top boards. (See photo 3.) Insert the 2" lag screws through the predrilled holes in the braces. Tap them with the hammer to get them started into the bench top. They are self drilling and will not crack the wood. Tighten with the $\frac{7}{16}$ " wrench or socket. **Do not overtighten** as this may cause them to break!

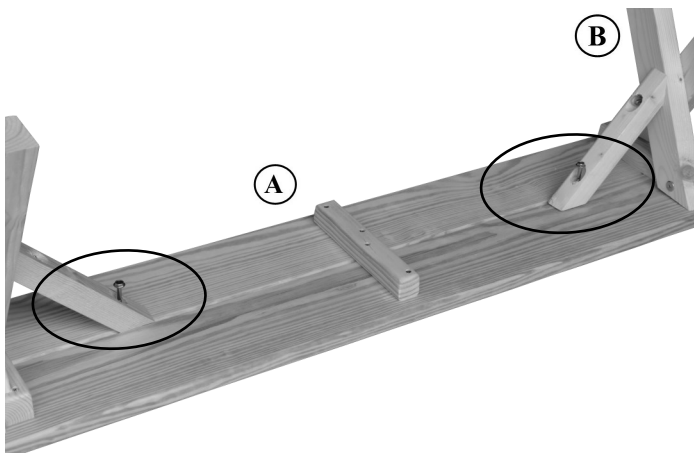


Photo 3

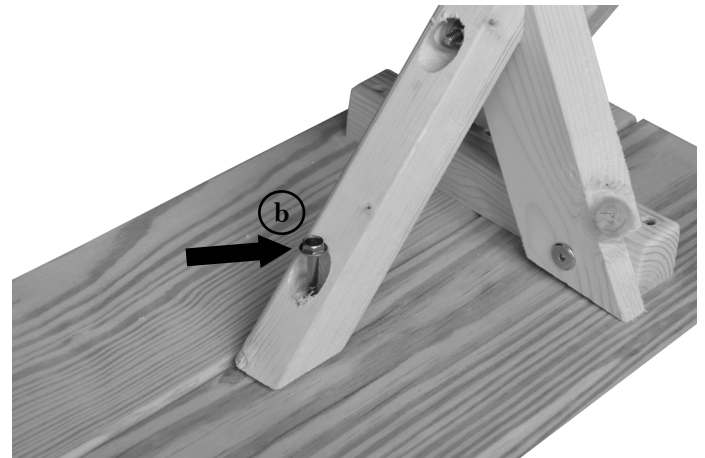


Photo 4