



*Assembly Instructions*

## **End Table & Coffee Table**



*Thank you for choosing **A&L Furniture Co.***

*We hope that this piece brings you many years of enjoyment!*

For help with assembling your furniture,  
or if you have missing hardware, please email us at  
[help@aandlfurniture.com](mailto:help@aandlfurniture.com) or call us at 866-896-5747

**PARTS** (included)

(A) Top (1)

(B) Leg Assembly (1)



**HARDWARE** (included)

1/4" x 2" Bolts (2)

Allen Wrench (1)

(a)

(b)



**STEP 1**

Unfold the leg assembly and place it on the top as shown in photo 1. Insert a 2" bolt through the predrilled hole in each leg and screw them into the metal inserts in the cross supports on the top. (See photo 2.)

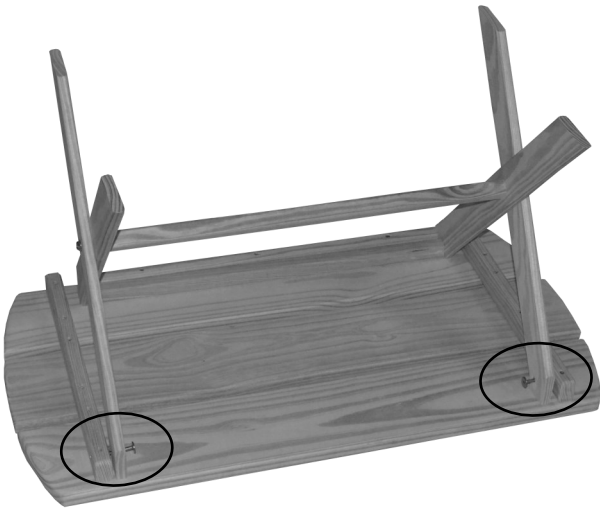


Photo 1

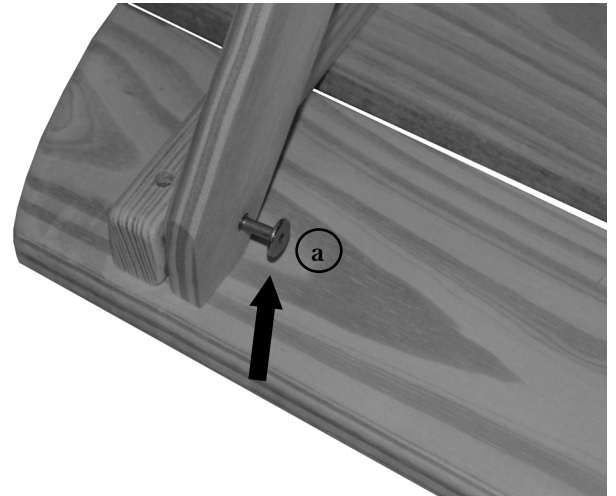


Photo 2

To fold the end table/coffee table for storage see photos 3, 4 and 5.



Photo 3

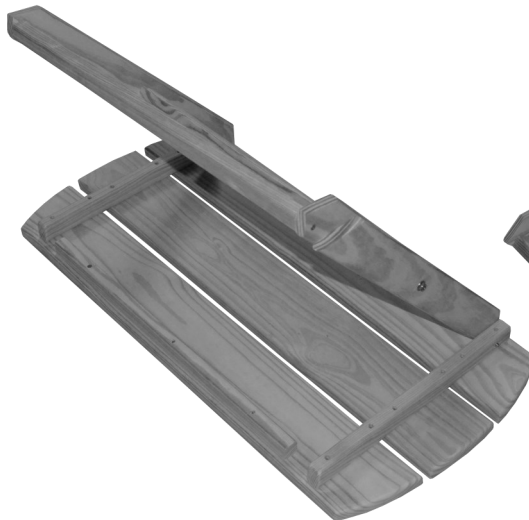


Photo 4



Photo 5