



*Assembly Instructions*

## **Table with Attached Benches**



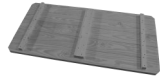
*Thank you for choosing **A&L Furniture Co.***

*We hope that this piece brings you many years of enjoyment!*

For help with assembling your furniture,  
or if you have missing hardware, please email us at  
[help@aandlfurniture.com](mailto:help@aandlfurniture.com) or call us at 866-896-5747

## PARTS (included)

(A) Table Top (1)



(B) Table Legs (2)



(C) Table Braces (2)



(D) Bench Tops (2)



## HARDWARE (included)

2 $\frac{3}{4}$ " Bolts (12)

(a)



2 $\frac{1}{2}$ " Lag Screws (4)

(b)



Allen Wrench (1)

(c)



## TOOLS NEEDED

Hammer

$\frac{7}{16}$ " Wrench or Socket

## STEP 1

Lay the table top upside down on a clean flat surface. Attach the table legs inside the 2x2 cross supports on the table top. (See photo 1.) Insert the 2 $\frac{3}{4}$ " bolts through the holes in the legs and turn them into the metal inserts in the 2x2. (See photo 2.) Tighten with the Allen wrench. **Do not overtighten!**

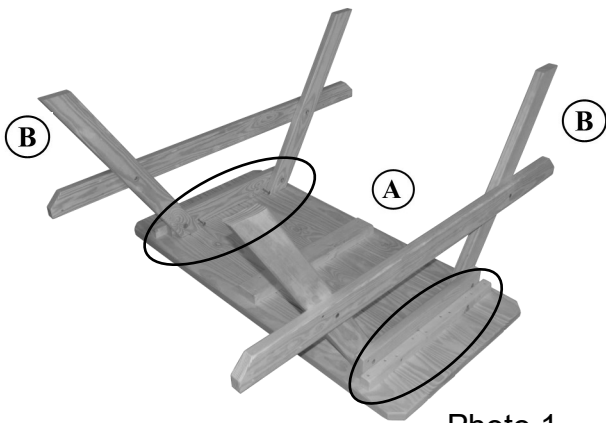


Photo 1

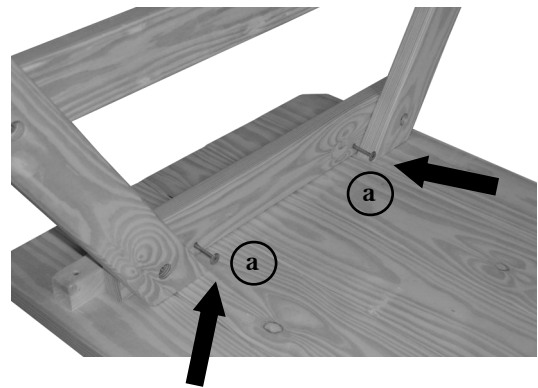


Photo 2

## STEP 2

Attach the table braces with one end of the brace on the table top and the other end against the horizontal crosspiece on the table leg. (See photo 3.) Insert 2 $\frac{1}{2}$ " lag screws into the holes in the braces. (See photo 4.) Tap them lightly with a hammer to get them started into the table top. They are self drilling and will not crack the wood. Now tighten using the  $\frac{7}{16}$ " wrench or socket. **Do not overtighten** as this may cause them to break!

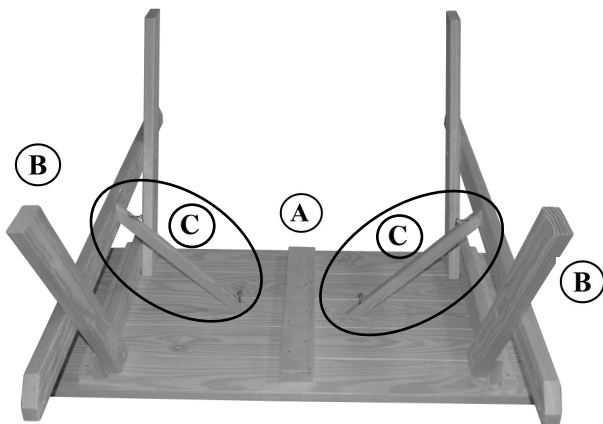


Photo 3

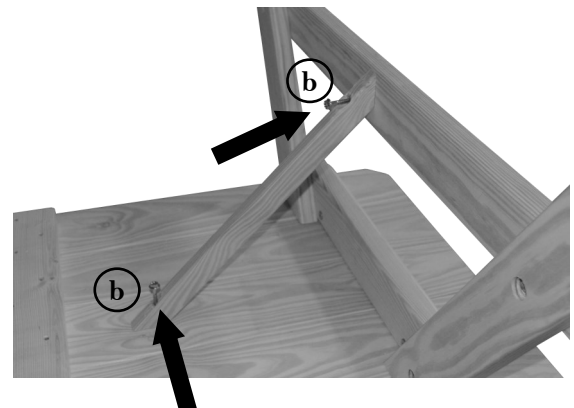


Photo 4

### STEP 3

Set the table upright. (See photo 5.) Attach bench tops. (See photo 6.) Insert  $2\frac{3}{4}$ " bolts through the table legs and turn them into the metal inserts in the bench 2x2's. (See photo 7.)

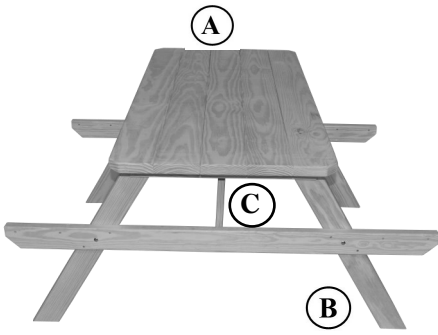


Photo 5

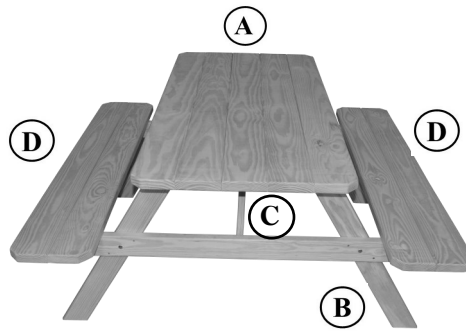


Photo 6

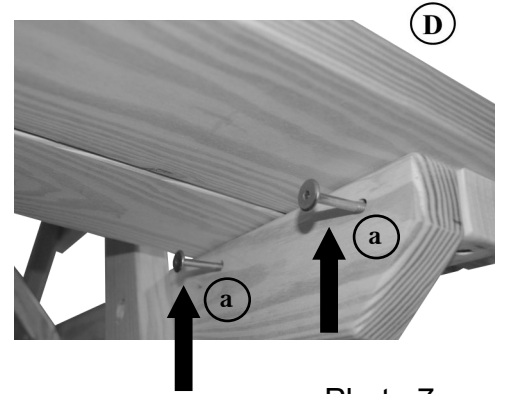


Photo 7