



Assembly Instructions

Poly Kids Table



*Thank you for choosing **A&L Furniture Co.***

We hope that this piece brings you many years of enjoyment!

For help with assembling your furniture,
or if you have missing hardware, please email us at
help@aandlfurniture.com or call us at 866-896-5747

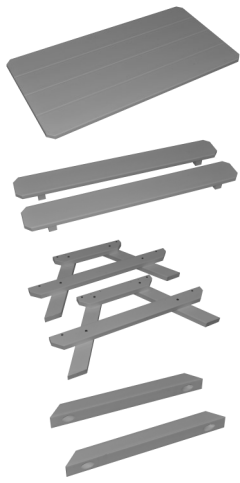
PARTS

(A) Top (1)

(B) Benches (2)

(C) Legs (2)

(D) Braces (2)



HARDWARE (included)

2 $\frac{3}{4}$ " Bolts (8)

2" Lag Screws (4)

Flat Washers (4)

Allen Wrench (1)

(a)

(b)

(c)

(d)



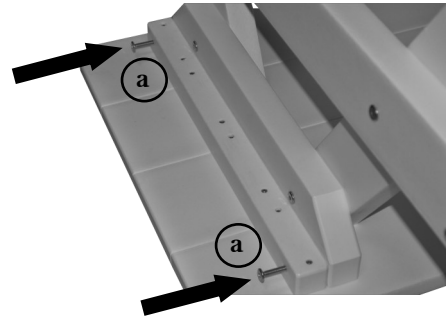
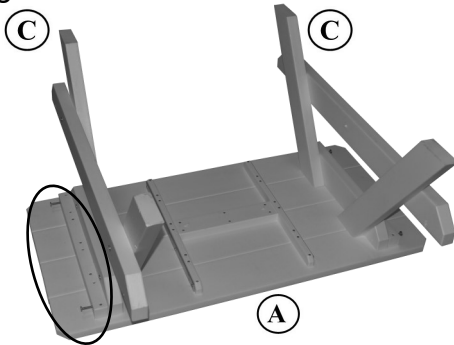
TOOLS NEEDED

Hammer

$\frac{7}{16}$ " Wrench or Socket

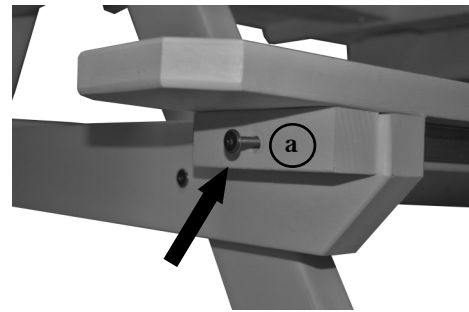
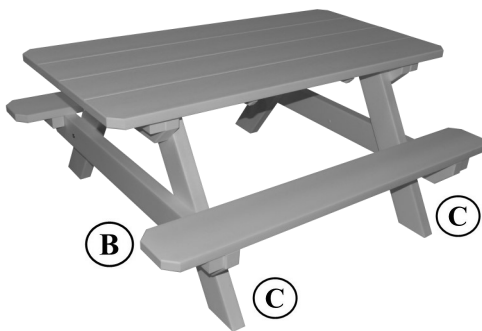
STEP 1

Lay the top upside down on a clean, level surface. Set the legs on inside of the 2x2 strips attached to the top. Insert two 2 $\frac{3}{4}$ " bolts through the predrilled holes in the 2x2 strips & turn into the threaded inserts in the top of the legs. Tighten with the Allen wrench.



STEP 2

Set the table upright and lay the benches (B) across the top of the legs (C). Insert a 2 $\frac{3}{4}$ " bolt through the 2x2 on the bench & turn into the threaded insert in the legs. Tighten with the Allen wrench.



STEP 3

Lay the table upside down again & attach the braces (D). Place one end of the brace in the center of the table top & other end flush with top of leg brace. Put a $\frac{1}{4}$ " washer on a 2" lag screw & turn in with $\frac{7}{16}$ " wrench or socket. (Holes are not predrilled as lags are self drilling.)

