



Assembly Instructions

Evening Grove Side Table



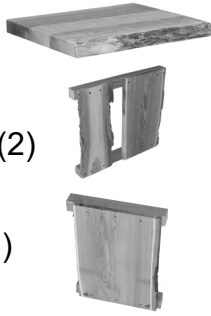
*Thank you for choosing **A&L Furniture Co.***

We hope that this piece brings you many years of enjoyment!

For help with assembling your furniture,
or if you have missing hardware, please email us at
help@aandlfurniture.com or call us at 866-896-5747

PARTS (included)

- Ⓐ Table Top (1)
- Ⓑ Side Panels w/2 boards (2)
- Ⓒ End Panels w/1 board (2)



HARDWARE (included)

- Ⓐ 3½" Bolts (12)
- Ⓑ Allen Wrench (1)



STEP 1

Lay the table top upside down on a clean surface. Take the end panels (these are the smallest ones with one board) and find the ends with the two predrilled holes in the board. Place that end on the table top outside the 2x2 attached to the top. Align the predrilled holes with the threaded inserts in the 2x2 & insert two 3½" bolts per panel. Tighten with the Allen wrench. (See photos 1 & 2.)

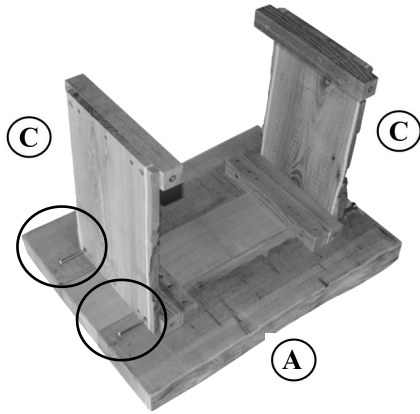


photo 1

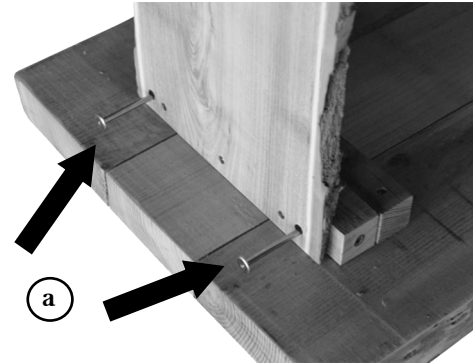


photo 2

STEP 2

Place the side panels on each side of the end panels. Align the predrilled holes in each corner of the side panels with the threaded inserts in the ends of the 2x2 on the end panels. Fasten with eight 3½" bolts & tighten with the Allen wrench. (See photos 3 & 4.)

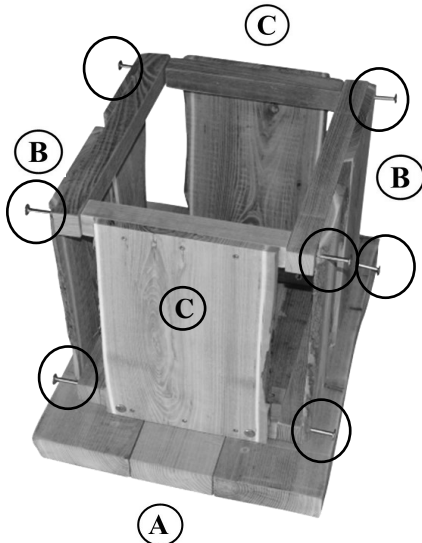


photo 3

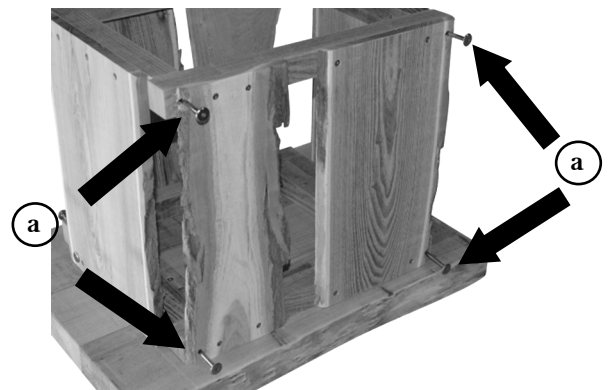


photo 4