



Assembly Instructions

Double Classic Rocker



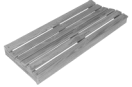
*Thank you for choosing **A&L Furniture Co.***

We hope that this piece brings you many years of enjoyment!

For help with assembling your furniture,
or if you have missing hardware, please email us at
help@aandlfurniture.com or call us at 866-896-5747

PARTS (included)

Ⓐ Seat Assembly (1)



Ⓑ Back Assembly (1)



Ⓒ Top Rail (1)



Ⓓ Back Sidepieces (2)



Ⓔ Right Arm Assembly (1)



Ⓕ Left Arm Assembly (1)



Ⓖ Rockers (2)



HARDWARE (included)

2³/₄" Bolts (4)

Ⓐ



2¹/₂" Bolts (8)

Ⓑ



2" Bolts (2)

Ⓒ



3" Screws (12)

Ⓓ



Allen Wrench (1)

Ⓔ



Square Drive Bit (1)

Ⓕ



TOOLS NEEDED

Power drill or screwdriver

STEP 1

Place the seat on a clean surface with the front slat on the seat facing down. Attach the arm assemblies to each side of the seat. The curved side of the arm belongs on the outside. Insert two 2³/₄" bolts through the holes in the legs & turn into the threaded inserts in the seat. (See photo 1.) **Do not fully tighten any bolts until the chair is fully assembled.**

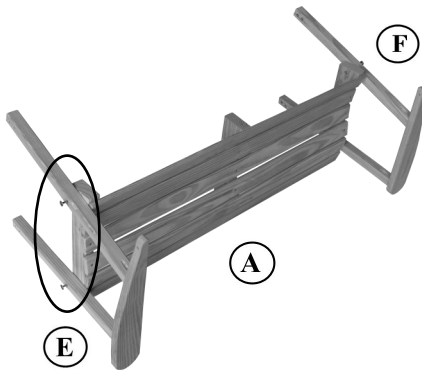


photo 1

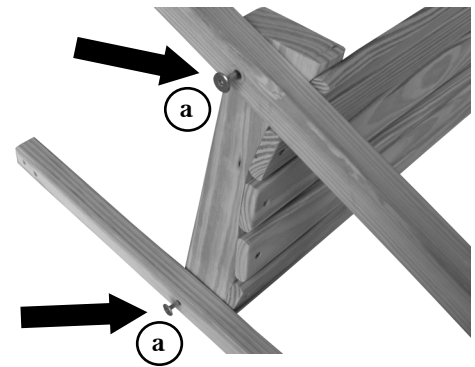


photo 2

STEP 2

Take the back assembly, top rail & back sidepieces and layout as shown in photo 3. The threaded insert in the back sidepieces should be turned in toward the back assembly. Find the predrilled holes in the back sidepiece, align with the pilot holes in the back assembly & top rail and fasten with four 3" screws per side. (See photo 4.)

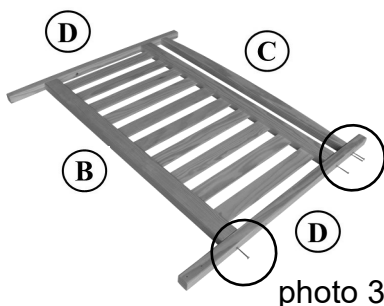


photo 3

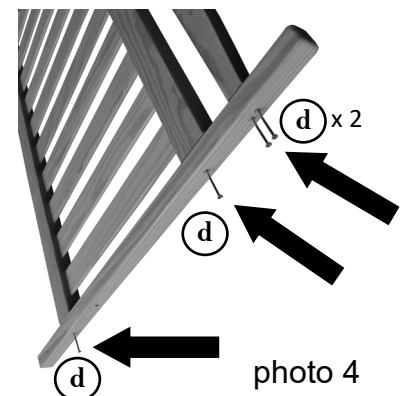


photo 4

STEP 3

Place the assembled back assembly unit between the arms of the chair. Align the hole in the back of the arm with the hole in the back sidepiece. Insert a 2" bolt & turn into the threaded insert. (See photos 5 & 6.)

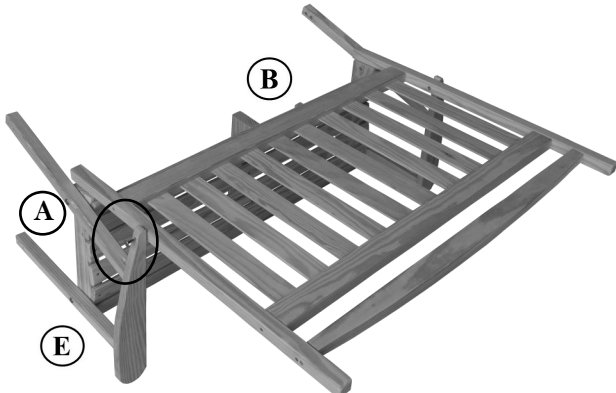


photo 5

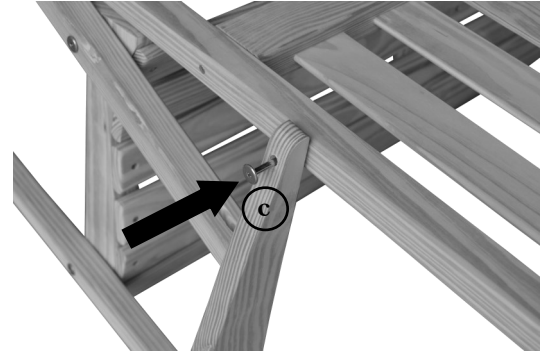


photo 6

STEP 4

Attach the bottom of the back sidepieces to the back of the seat. Place two 3" screws in the predrilled holes on each side & turn into the seat. There are no predrilled holes in the seat as the screws are self drilling. (See photos 7 & 8.) If the back does not fit between the arms, loosen the bolts on the back of the arms.

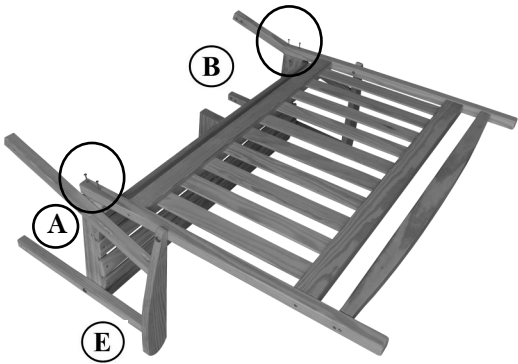


photo 7

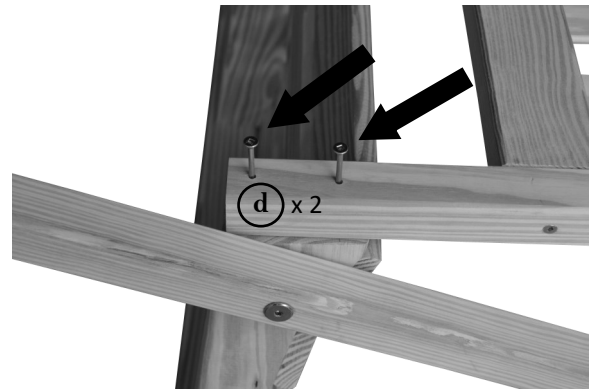


photo 8

STEP 5

Attach the rockers to the bottom of the legs. Put four 2½" bolts through the predrilled holes in each rocker & turn into the inserts in the legs. The holes closest to the end of the rocker belong on the front of the chair. (See photos 9 & 10.) Set the chair upright & fully tighten all bolts with the Allen wrench.

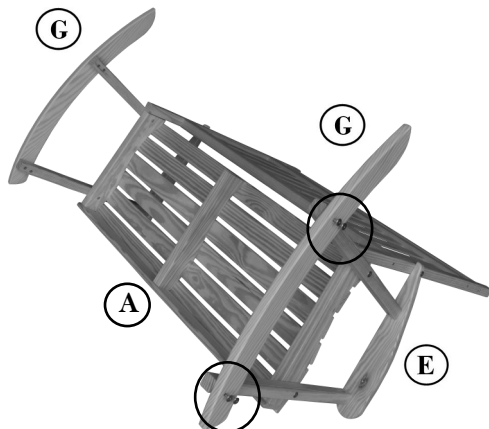


photo 9

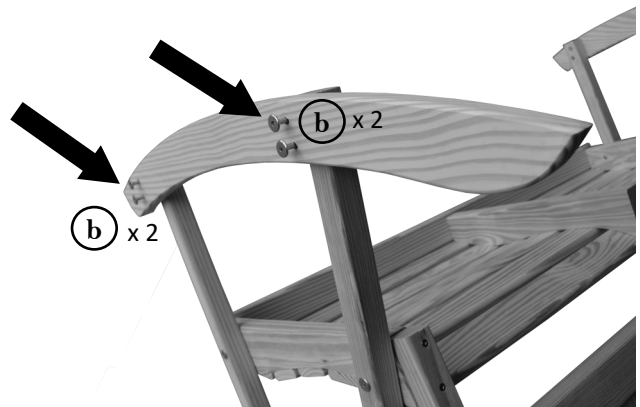


photo 10