



Assembly Instructions



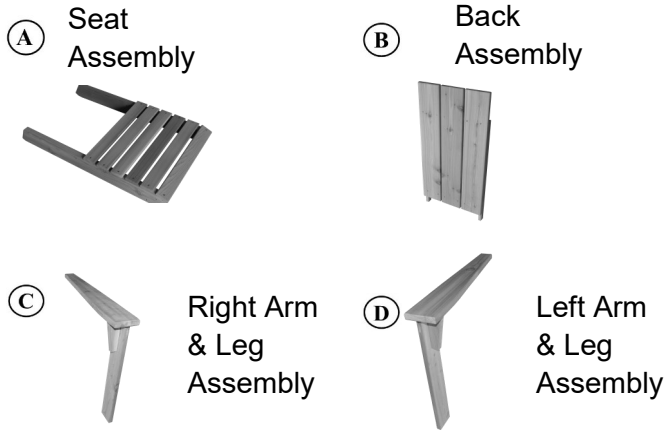
**663C
Modern
Adirondack
Chair**

*Thank you for choosing **A&L Furniture Co.***

We hope that this piece brings you many years of enjoyment!

For help with assembling your furniture,
or if you have missing hardware, please email us at
help@aandlfurniture.com or call us at 866-896-5747

PARTS (included)



HARDWARE (included)

1/4" X 3 1/2" Bolts (2)

(a)



1/4" X 2" Bolts (6)

(b)



TOOLS NEEDED

-Allen wrench (included)

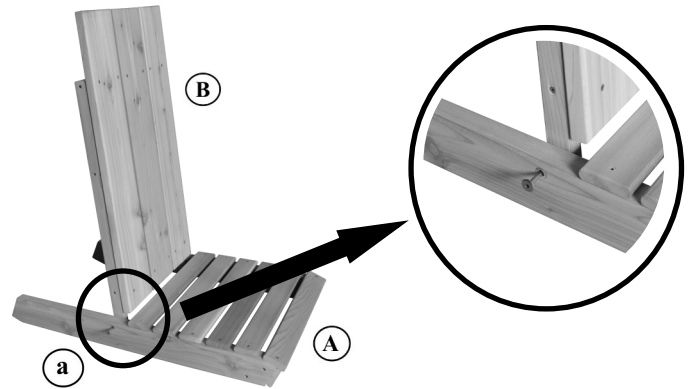


STEP 1

Lay out & identify all parts & hardware pieces

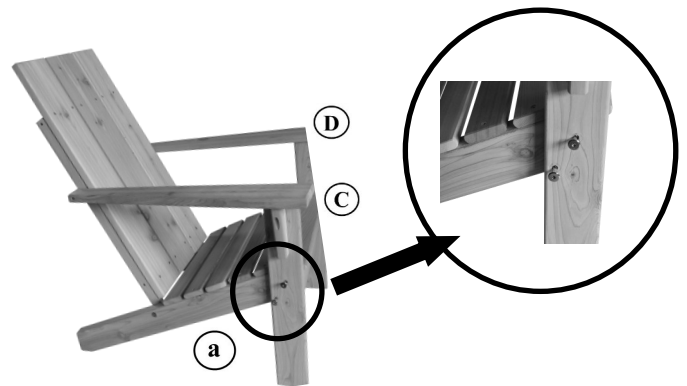
STEP 2

Place the seat on a clean surface with the seating area facing up. Put the back assembly between the back legs behind the seat, aligning the predrilled holes in the legs with the threaded inserts on the bottom of the back assembly. Put one 2" bolt through the legs & turn into the inserts. Semi-tighten with the Allen wrench. Do NOT fully tighten any bolts until entire chair is assembled.



STEP 3

Attach the arm & leg assemblies to the chair. Align the predrilled holes in the front leg with the inserts in the side of the seat. Put 2" bolts through the legs, turn into the inserts in the seat & semi-tighten with the Allen wrench. Please Note: There is a right & left arm (the little brace should be on the outside of the chair).



STEP 4

Attach the back of the arms to the back assembly. Put a 3 1/2" bolt through the predrilled hole in the arms & turn into the threaded insert in the side of the back assembly. Please Note: If you have problems aligning the holes, loosen the other bolts & push (or pull) the back to the proper position. You can now fully tighten all bolts with the Allen wrench.

